

UHF/Satcom/GPS/Iridium S65-8282-186



DESCRIPTION

S65-8282-186: UHF Satellite communications antenna provides four functions from a single, low-profile footprint. The traditional low-angle, vertically-polarized blade section is used for air-to-air and air-to-ground UHF communications. The high-angle RHCP element is designed for UHF Satcom. The broad cardioid pattern provides coverage for up to plus or minus 35 degrees from zenith.

An L1/L2 GPS with a 26.5dB amplifier is housed in the radome along with an Iridium element for voice and data applications. Each antenna section has separate connectors for ease of installation and to eliminate the requirement for diplexers.

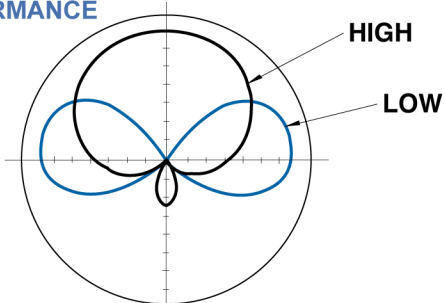
The S65-8282-186 is approved as Iridium Compatible Equipment (ICE).

NSN: 5985-01-597-0009.



FEDERAL & MILITARY SPECS: MIL-HDBK-5400, MIL-STD-810, MIL-STD-877.

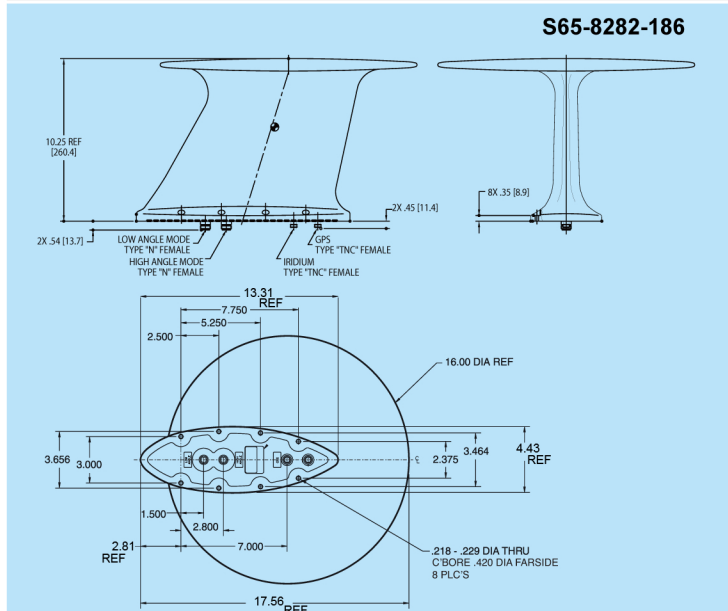
PERFORMANCE



RADIATION PATTERNS



SPECIFICATIONS	
MODEL	S65-8282-186
ELECTRICAL	
Frequency	240-400 MHz (high angle UHF Satcom) 225-400 MHz (low angle UHF) 1565-1586 MHz (L1 GPS) 1217-1238 MHz (L2 GPS) 1618-1626.5 MHz (Iridium)
VSWR	2.0:1 (high angle UHFSatcom) 2.0:1 (low angle UHF and GPS) 1.5:1 (Iridium)
Pattern	Cardioid Hemispheric RHCP (high angle UHFSatcom) Omnidirectional in Azimuth Cosinusoidal in Elevation (low angle UHF)
Polarization	RHCP (high angle UHFSatcom, GPS, and Iridium) Vertical (low angle UHF)
Impedance	50 Ohms
Power	125 Continuous Watts (high angle UHFSatcom) 125 Continuous Watts (low angle UHF) 1 Watt (GPS) 60 Continuous Watts (Iridium)
Gain	+3 dBic min, +7 dBic peak @ zenith (high angle UHFSatcom) 0 dBil min @ horizon, +2 dBil peak (low angle UHF) 26.5 dBic (GPS L1/L2 and Iridium)
MECHANICAL	
Weight	8.9 lbs [4.02 kg]
Height	10.25 in max [260.4 mm]
Diameter	16.0 in.
Material	6061-T6 Aluminum Alloy / Fiberglass
Finish	Skydrol Resistant Polyurethane Enamel
Connector	N Female (x2) / TNC Female (x2)
Drag	2.8 lbs. Mach .85 @ 35,000 ft.
ENVIRONMENTAL	
Temperature	-61°C (-77°F) to 85°C (+185°F)
Altitude	50,000 ft.



Note: For Reference Only.

Contact Sensor Systems for the latest engineering drawings.

Doc # DS S65-8282-186_C 012816: MRKT ENG QC

Sensor Systems, Inc. 8929 Fullbright Ave., Chatsworth, CA 91311 Ph: 818-341-5366 Fax: 818-341-9059

Email: productinfo@sensorantennas.com www.sensorantennas.com